



Installation Instructions / Guidelines
Super-Slim Pool/Hot Tub Light



These instructions on wiring and installation are provided as a guideline to assist you. Some experience of electrical wiring and do-it-yourself is required to install the light. If at any time you are unsure of how to proceed, **you must consult a qualified electrician.**

Before Starting

Please read through these instructions before commencing work and keep them for future reference.

Please Take Extreme Care When Carrying Out These Instructions.

Important!

This light fitting must be connected to a 12V DC Supply.

DO NOT CONNECT TO THE MAINS DIRECTLY

Warning!

Please read these instructions carefully before commencing any work.

This unit must be fitted by a competent and qualified electrician.



Waste electrical products should not be disposed of with household waste. Please recycle where facilities exist. Check with your local authority or retailer for recycling advice.

Warning!

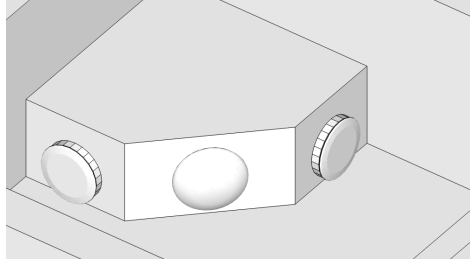
The LED Controller is not waterproof and should be located in a dry waterproof area.

The LED Light Remote Control is not waterproof and should not be used when in the Hot Tub / Pool.

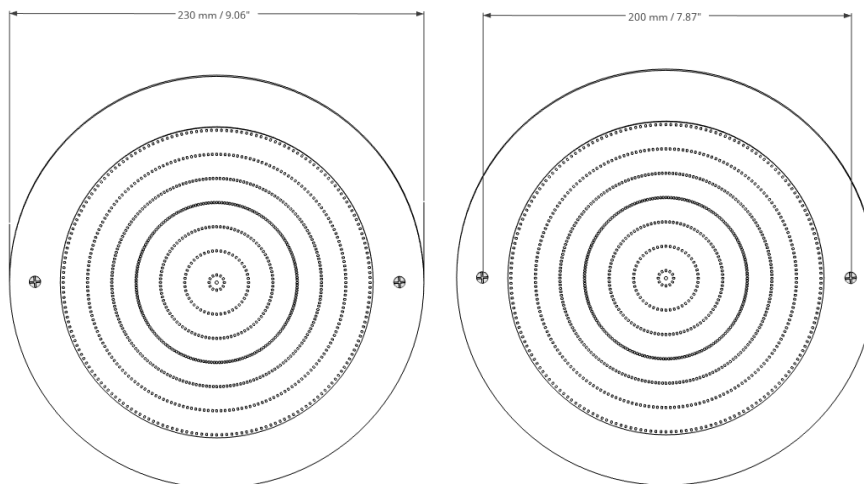
Location Considerations

It is advised that the LED Light is mounted vertically to a wall or a step. Whilst it is possible to mount the light horizontally, they are not designed to be stepped on and installation in this manner will void your warranty.

An example of a mounting location, installed in the lower step of a Hot Tub.



Dimensions

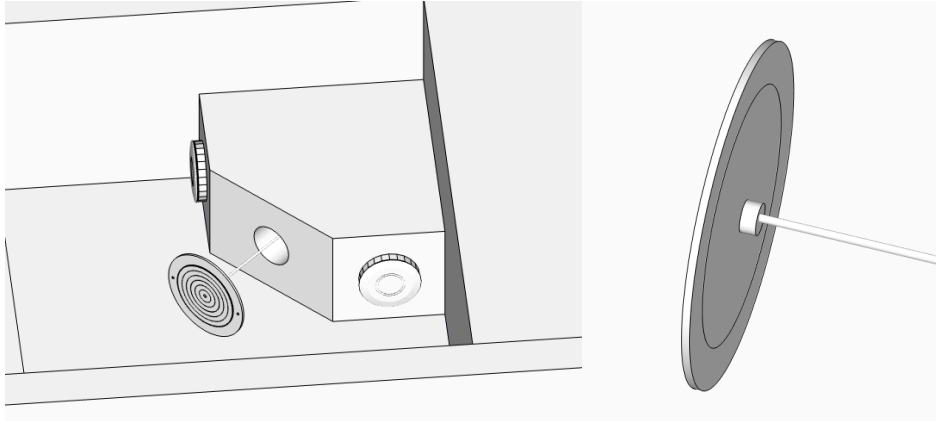


Installation

In order to install the LED Light, it is advised that you embed into the wall or the step a short length of pipe to house the cabling.

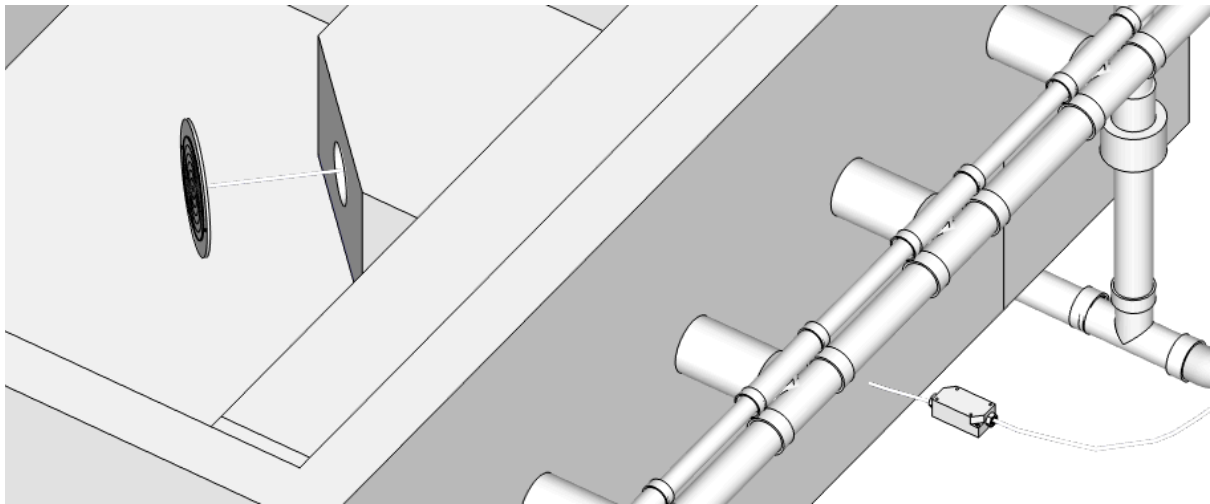
It is advised that you allow 1m of excess cable in the pipe so that you are able to remove the LED Light and lift it above the surface of the water for any servicing without the need to drain the Hot Tub.

Please note, the back of the light is not total flat and there is a small Niche.

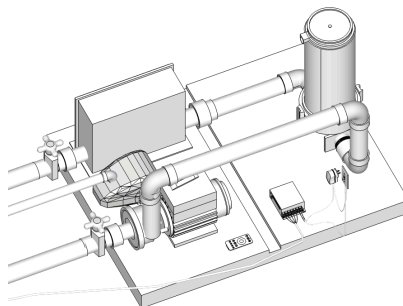


The cable, unless you are using an under water connector, will need to be laid before any concreting work is done. **Please Note**, the cable is 5 core cable in order to control the individual colors of the LED.

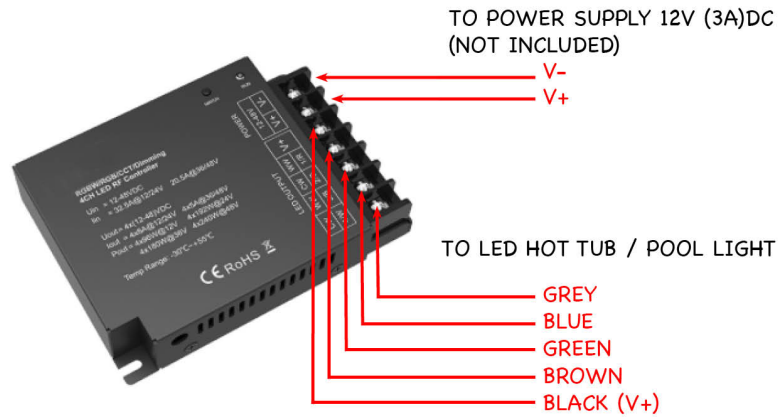
The cable should be run to the outside of the tub where depending on the location of your "Control Room" it may need extending as we have shown in the diagram below.



We advise the the LED Controller is placed in the same dry and waterproof location where you control room will be located. It is not IP rated.



Wiring Diagram



Connecting the 12V DC Power Supply (not included)

We recommend a 12V 3A, 36W DC Power Supply. This will need to be connected to the LED Controller.

We also recommend that an external switch be wired into the Power Supply circuit so that the LED Light can be turned on and off from the switch as bathers get in and out of the Hot Tub / Pool.

The remote control can be used to set the color and mode settings, but is not designed to be a permanent on/off switch.

If you are placing the switch outside then it will need to have an IP65 rating.

EXTERNAL SWITCH WIRING DIAGRAM

